

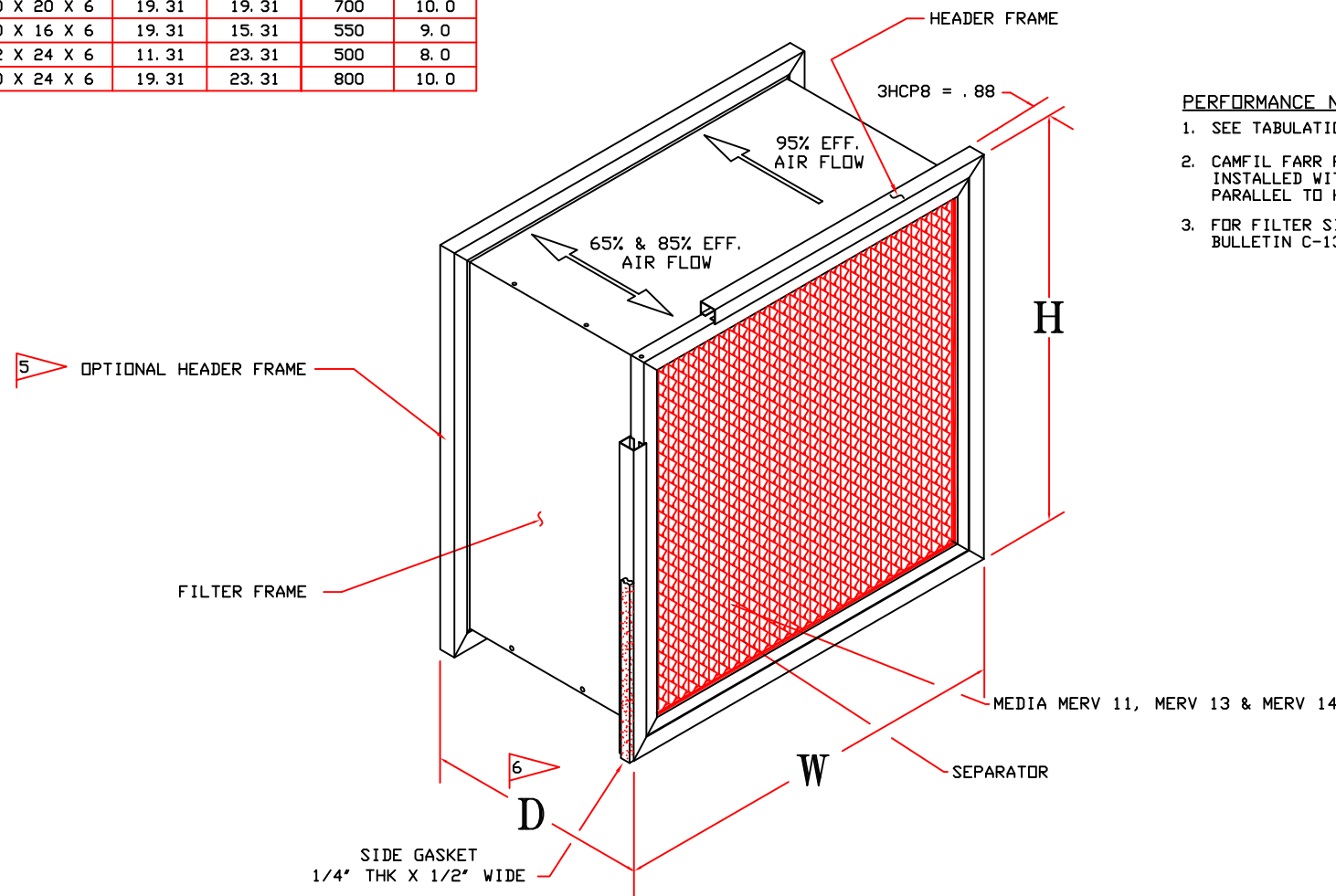
✓	NOMINAL SIZE (INCH)	ACTUAL SIZE		AIRFLOW CAPACITY (CFM)	WEIGHT (LBS)
		H	W		
F	24 X 24 X 12	23.31	23.31	2000	19.0
F	24 X 20 X 12	23.31	19.31	1600	18.0
F	24 X 12 X 12	23.31	11.31	1000	14.0
F	25 X 20 X 12	24.31	19.31	1750	18.0
F	25 X 16 X 12	24.31	15.31	1400	17.0
F	24 X 18 X 12	23.31	17.31	1500	17.0
E	20 X 20 X 12	19.31	19.31	1400	17.0
E	20 X 16 X 12	19.31	15.31	1100	16.0
E	12 X 24 X 12	11.31	23.31	1600	14.0
E	20 X 24 X 12	19.31	23.31	1000	18.0
E	24 X 24 X 6	23.31	23.31	1000	11.0
E	24 X 20 X 6	23.31	19.31	800	10.0
E	24 X 12 X 6	23.31	11.31	500	8.0
E	25 X 20 X 6	24.31	19.31	875	10.0
E	25 X 16 X 6	24.31	15.31	700	9.0
E	24 X 18 X 6	23.31	17.31	750	10.0
E	20 X 20 X 6	19.31	19.31	700	10.0
E	20 X 16 X 6	19.31	15.31	550	9.0
E	12 X 24 X 6	11.31	23.31	500	8.0
E	20 X 24 X 6	19.31	23.31	800	10.0

**GENERAL NOTES:**


- MEDIUM EFFICIENCY, MERV 11 - 14 RIGID PLEATED DISPOSABLE FILTER. EFFICIENCY IS TESTED IN ACCORDANCE WITH ASHRAE 52.2-(LATEST REV).
- AVAILABLE SIZES (NOMINAL) AND EFFICIENCIES: SEE TABULATION BLOCK.
- SEE CAMFIL FARR BULLETIN 1602-(LATEST REV.) AND PRODUCT RTF SPECIFICATIONS FOR OTHER FEATURES, CONSTRUCTION AND PERFORMANCE CHARACTERISTICS.
- ALL 12" DEEP FILTERS ARE RATED AT 500 FPM, AND 6" DEEP FILTERS ARE RATED AT 250 FPM.
- STANDARD UNIT REQUIRES ONE (1) HEADER FRAME ON THE UPSTREAM SIDE OF FILTER. A SECOND HEADER FRAME ON THE DOWNSTREAM SIDE OF THE FILTER IS OPTIONAL.
- DEPTH "D" OF FILTERS;
  - 6" SINGLE HEADER (0.88) = 5.56
  - 6" DOUBLE HEADER (0.88) = 5.62
  - 12" SINGLE HEADER (0.88) = 11.19
  - 12" DOUBLE HEADER (0.88) = 11.25

**PERFORMANCE NOTES:**

- SEE TABULATION BLOCK FOR AIRFLOW CAPACITY.
- CAMFIL FARR RECOMMENDS FILTER TO BE INSTALLED WITH THE PLEATS RUNNING PARALLEL TO HEIGHT DIMENSION.
- FOR FILTER SIDE ACCESS INSTALLATION, SEE BULLETIN C-1306-1B.



H	05/16/12	REVISED	14955-BB	SS	SM	SM
A	01/12/95	FIRST ISSUE	13112	TCG	CAM	<i>Camfil</i>
REV.	DATE	DESCRIPTION	EWD	DFT	CK	APP



©Camfil Farr <http://www.camfilfarr.com>

DESCRIPTION  
AEROPAC 3HCP8 & 3DHCP8 UL 900 FILTER  
6" & 12" DEEP, SINGLE & DOUBLE HEADER  
MERV 11, MERV 13 & MERV 14

SHEET	DRAWING NUMBER:	REV.
1 OF 1	201702	H

MFG DWGS. FOR .88 HEADER: 402297, 402298, 402310, 402311